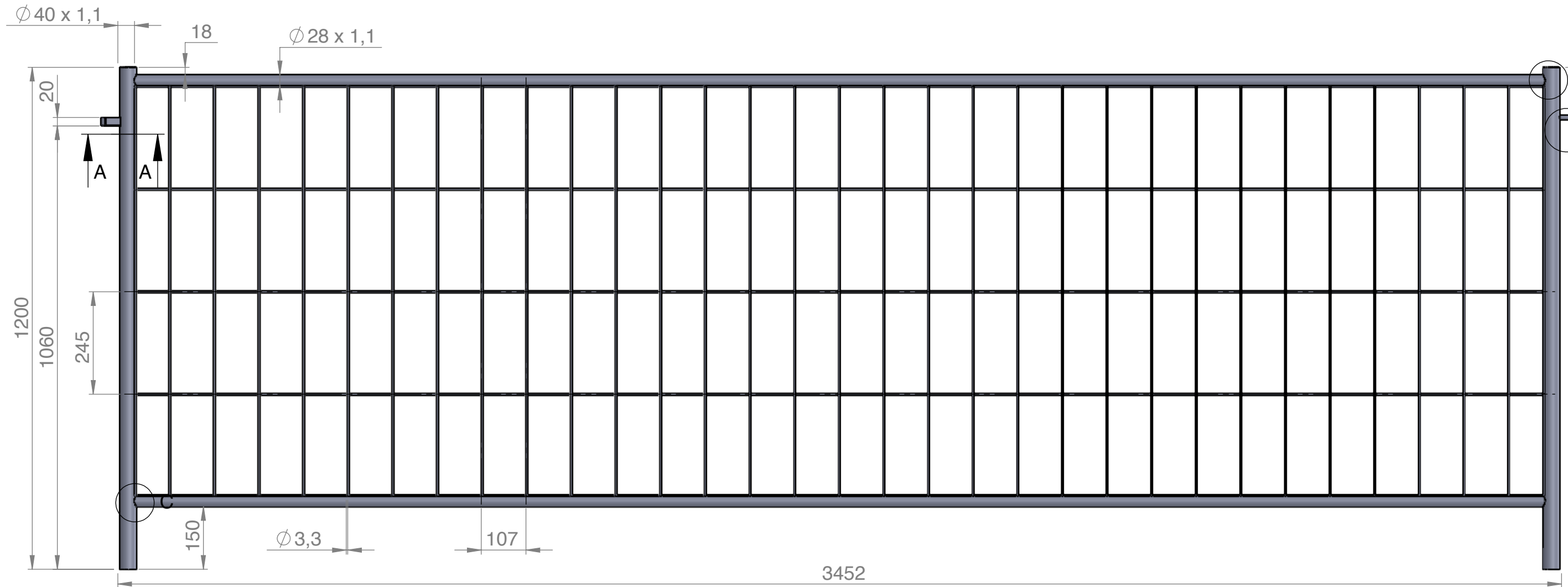
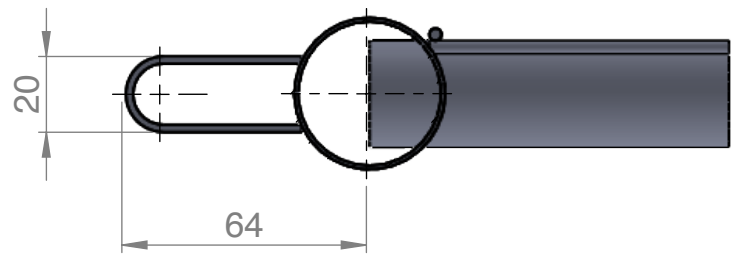


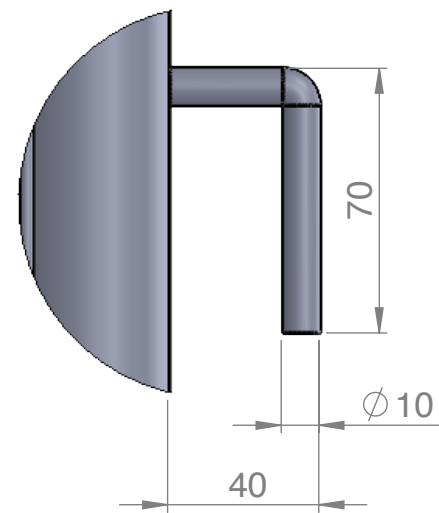
ALL DIMENSIONS IN MILLIMETERS



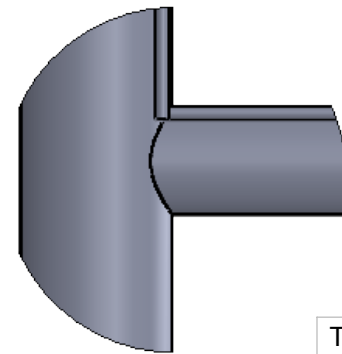
A-A  
(1 : 2)



B  
(1 : 2)

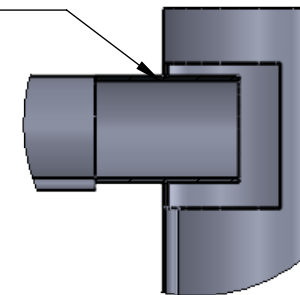


C  
(1 : 2)

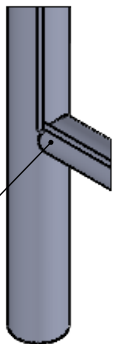


Horizontal pipe  
in a vertical  
pipe

D  
(1 : 2)



Isometric view of  
the connection  
pipe



TITLE:				SP10-01Ö	
NAME	SIGN	DATE	WEIGHT:	12 kg	
DRAWN	BIŃCZAK	03/02/23	CHK'D		
FINISH: HOT DIPPED GALVANISED			TOLERANCE:	±5%	

**www.bauzaun-discount.de**

CODE:	90000	Revision
SCALE: 1: 10	SHEET 1 OF 1	A3