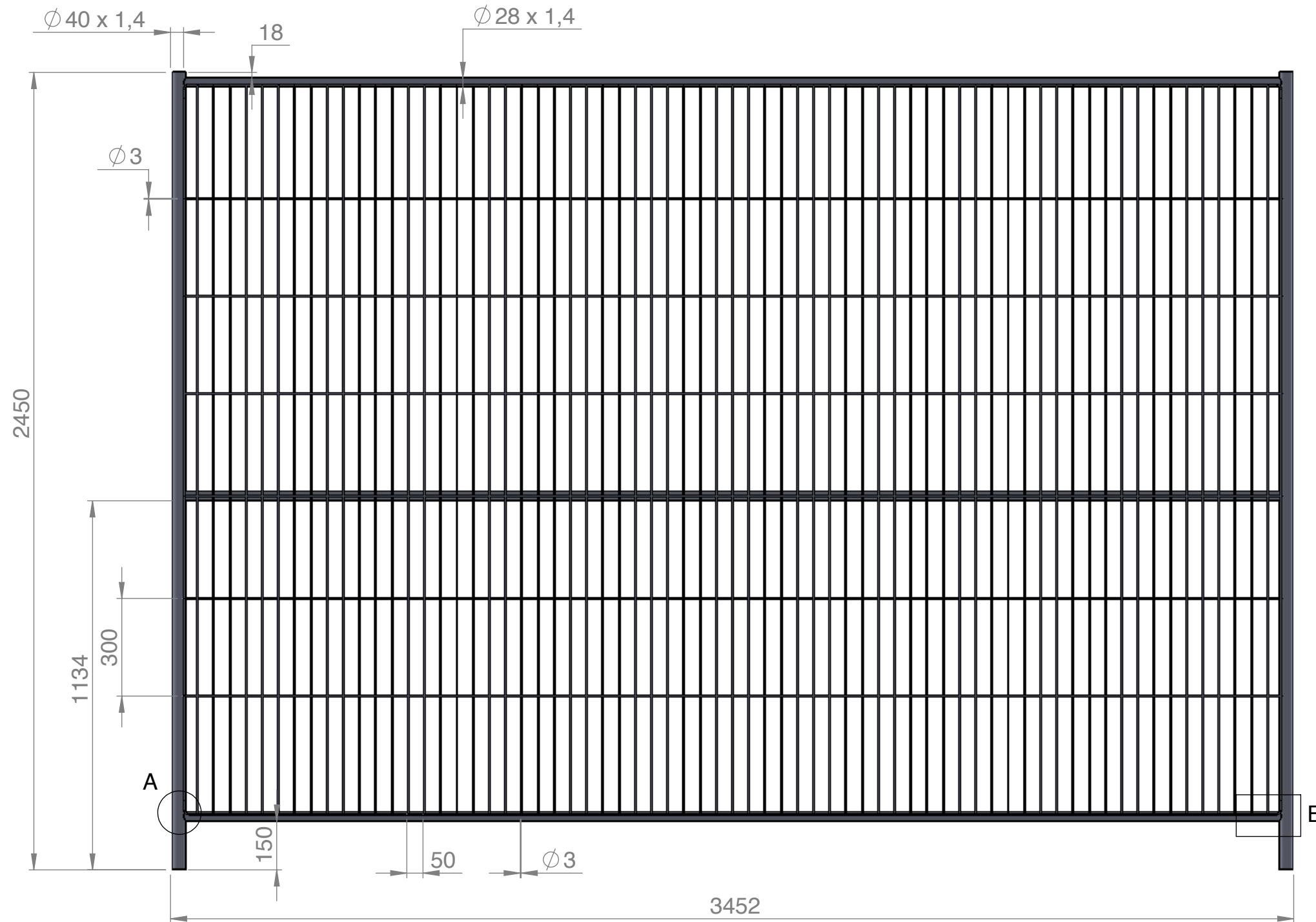
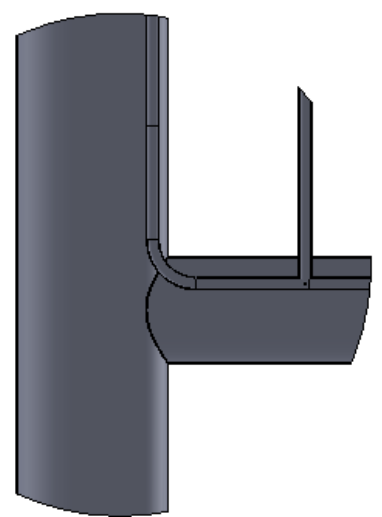


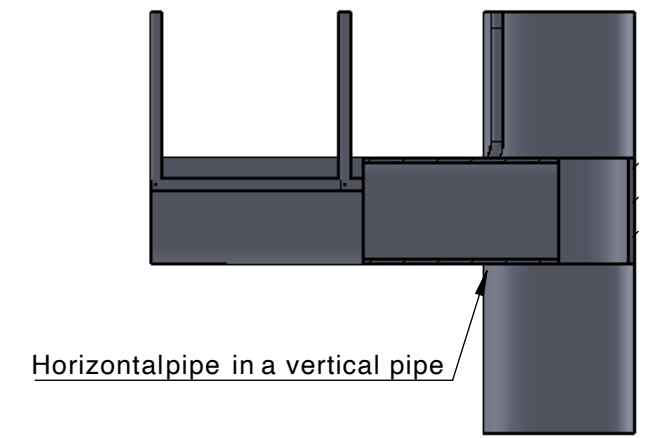
ALL DIMENSIONS IN MILLIMETERS



A (1 : 2)



B (1 : 2)



TITLE: SP10-06 Bauzaun			
NAME	SIGNATURE	DATE	WEIGHT: 24,5 kg
DRAWN: ENCZAK		09.03.20	
CHKD:			
FINISH: HOT DIPPED GALVANISED	TOLERANCE: ±5%		

**www.bauzaun-discount.de**

CODE . 90014 Revision