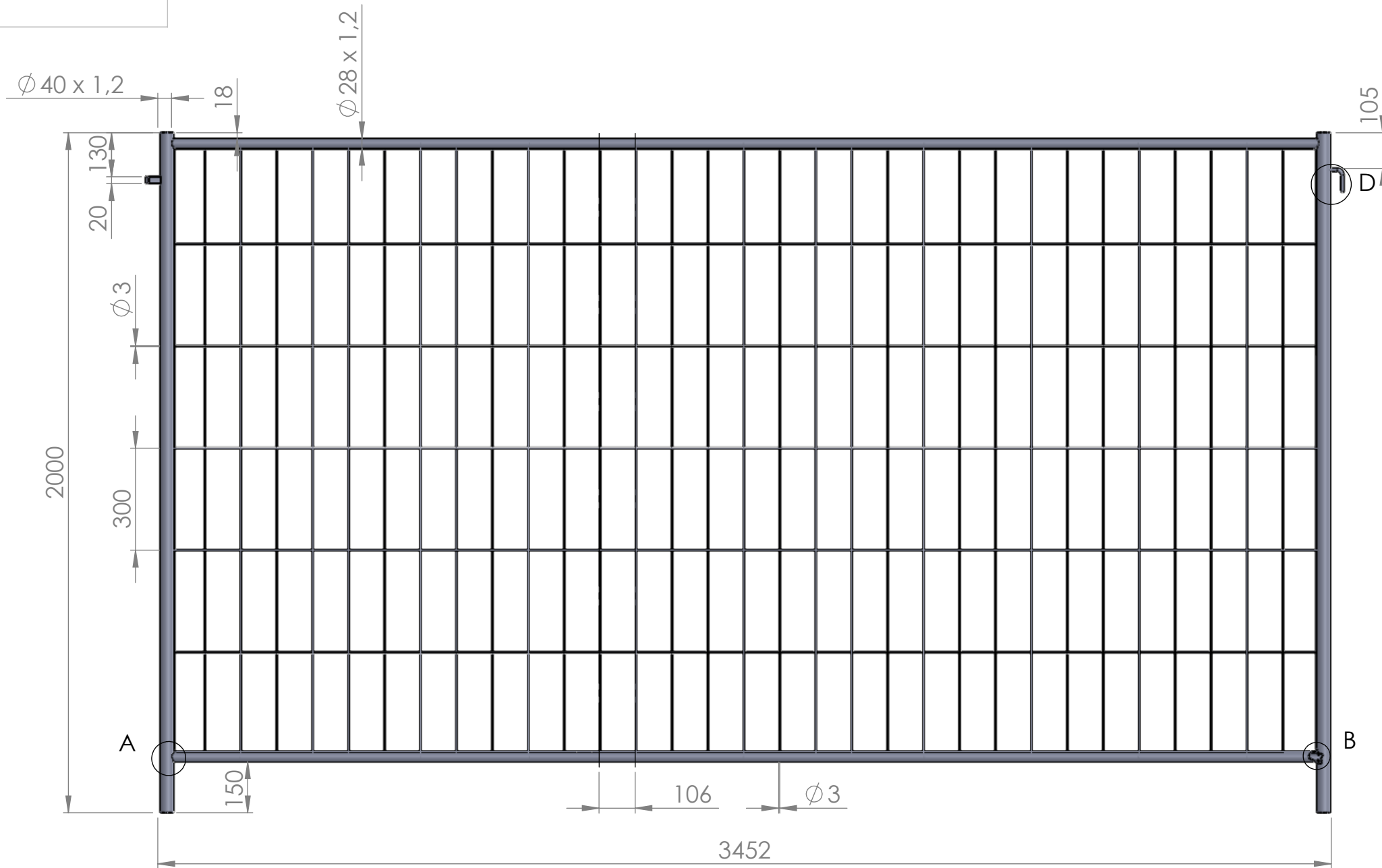
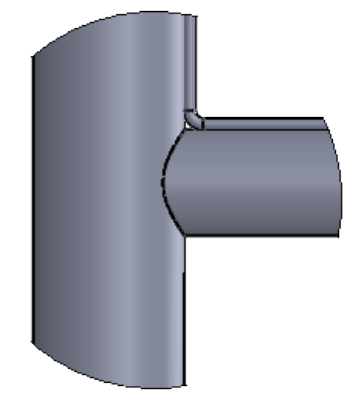


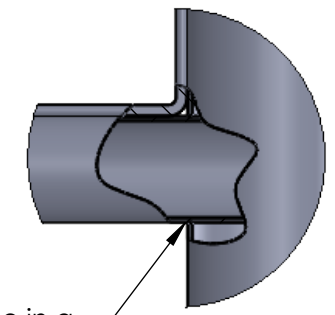
ALL DIMENSIONS IN MILLIMETERS



A (1 : 2)

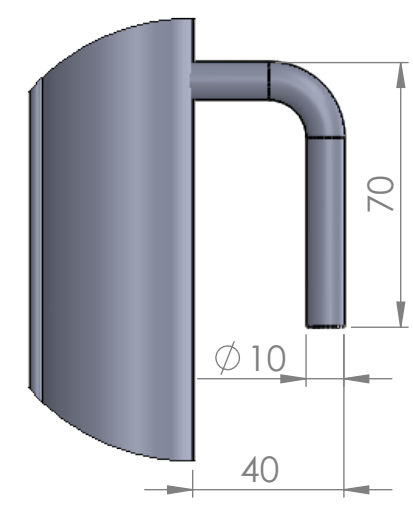


B (1 : 2)

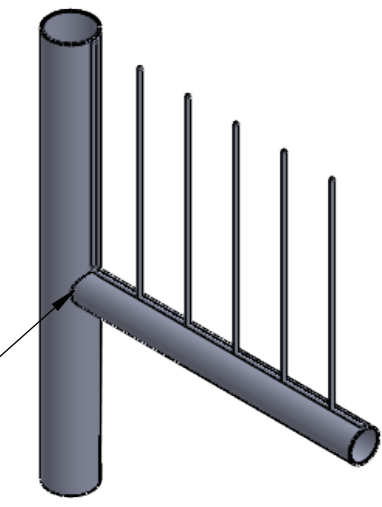


Horizontal pipe in a vertical pipe

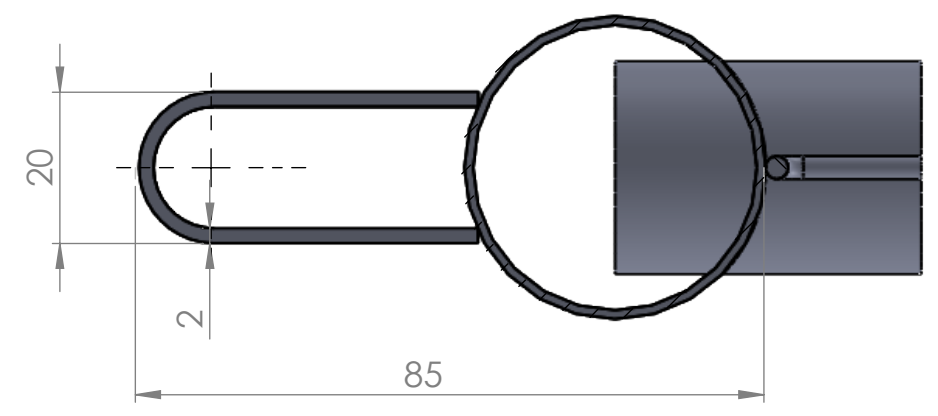
D (1 : 2)



Isometric view of the connection pipe



C-C (1 : 1)



TITLE: <b>SP10-04Ö Bauzaun</b>				
DRAWN	NAME	SIGN	DATE	WEIGHT:
CHK'D	BINCZAK		12/03/24	
FINISH:	HOT DIPPED GALVANISED		TOLERANCE:	$\pm 5\%$

[www.bauzaun-discount.de](http://www.bauzaun-discount.de)

CODE:	<b>90015</b>	Revision
SCALE: 1: 15	SHEET 1 OF 1	A3