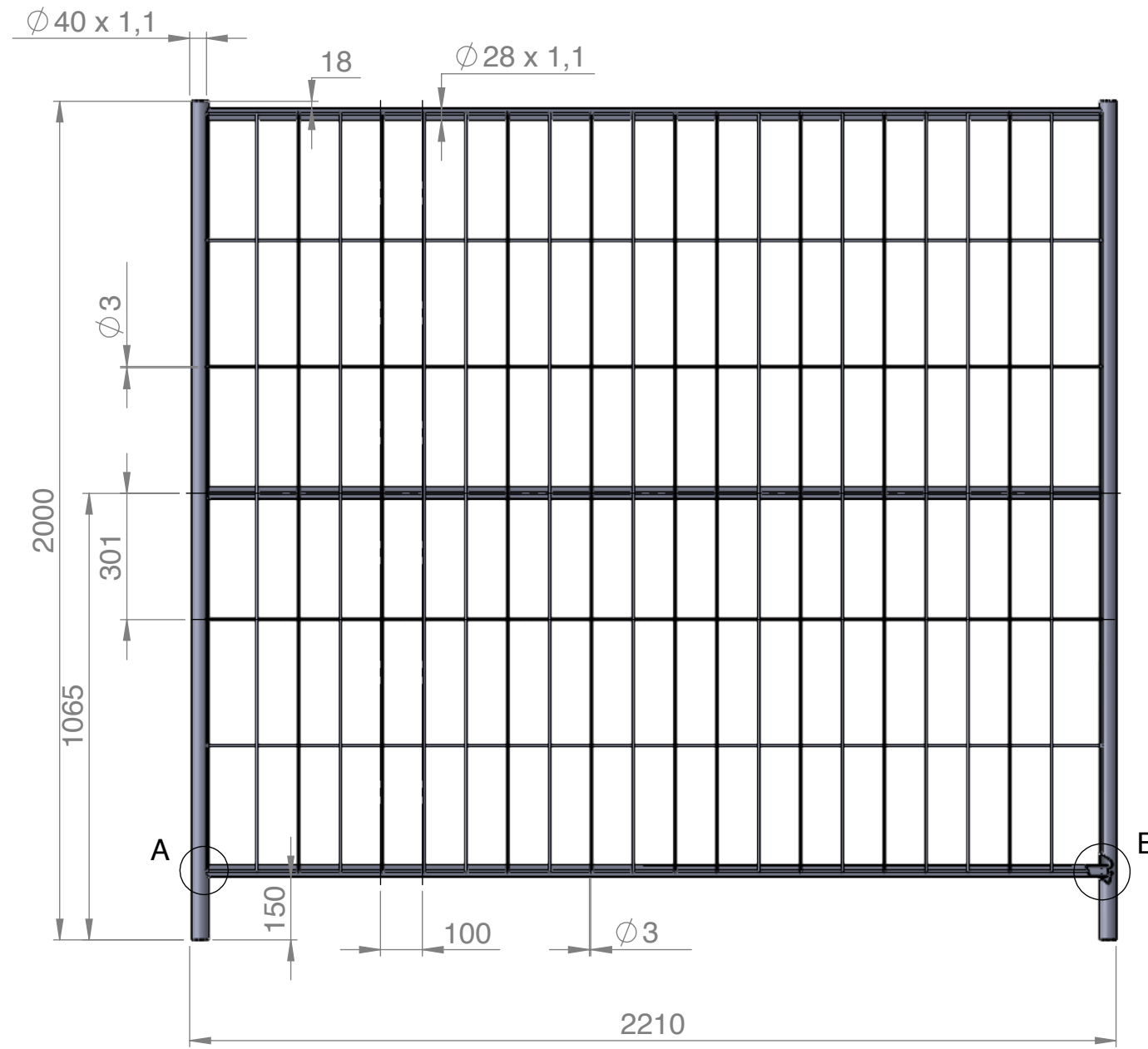
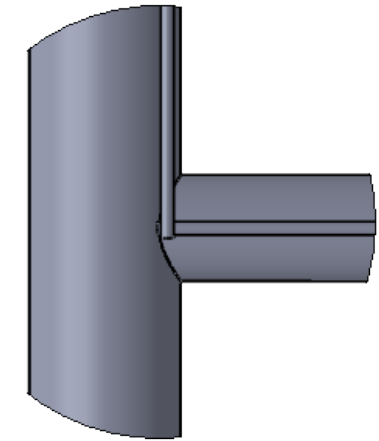


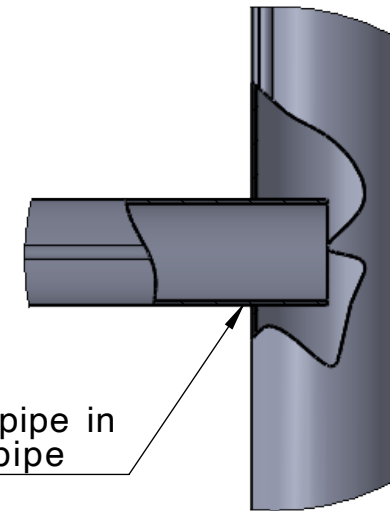
ALL DIMENSIONS IN MILLIMETERS



A  
(1 : 2)

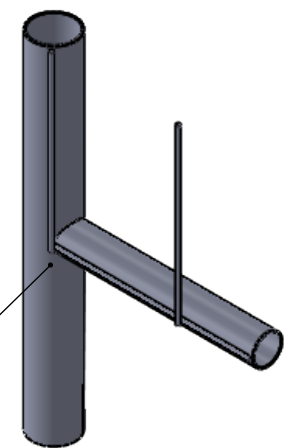


B  
(1 : 2)



Horizontal pipe in a vertical pipe

Isometricview of the connection pipe



TITLE: **SP10-02AH Bauzaun**

NAME	SGN	DATE	WEIGHT:
DRAWN BIŃCZAK		04/02/23	13 kg
CHK'D			

FINISH:	TOLERANCE:
	±5%

**www.bauzaun-discount.de**

CODE:	Revision
	90017

SCALE: 1:15 SHEET 1 OF 1 A3