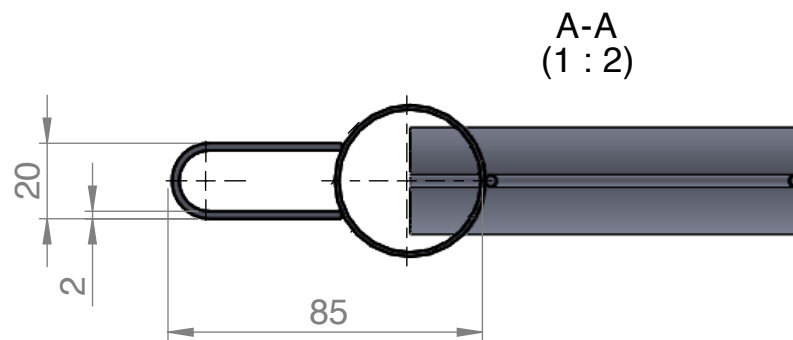
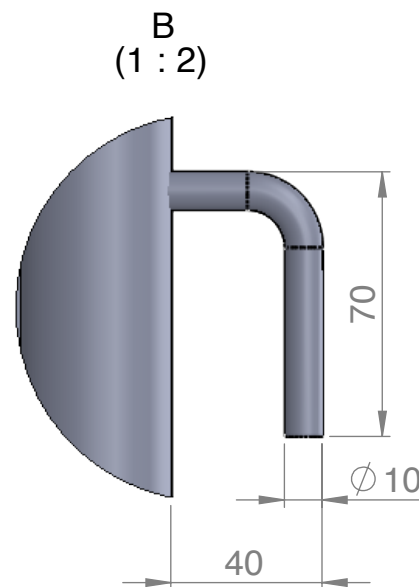
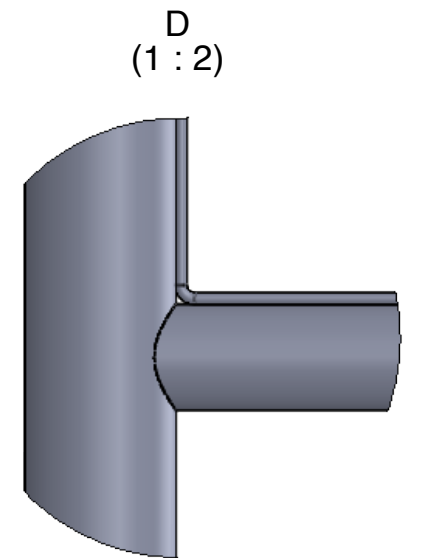
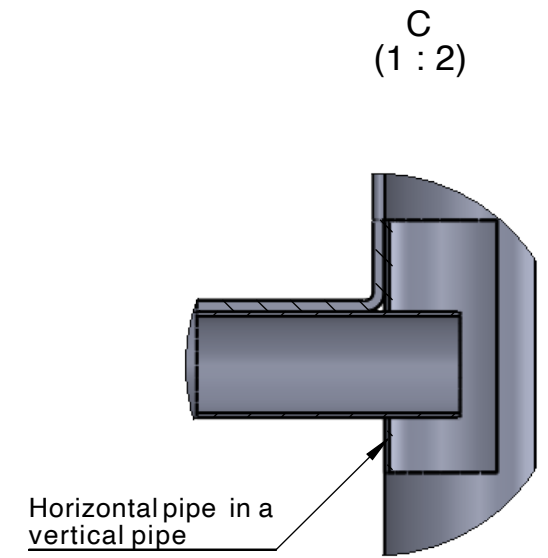
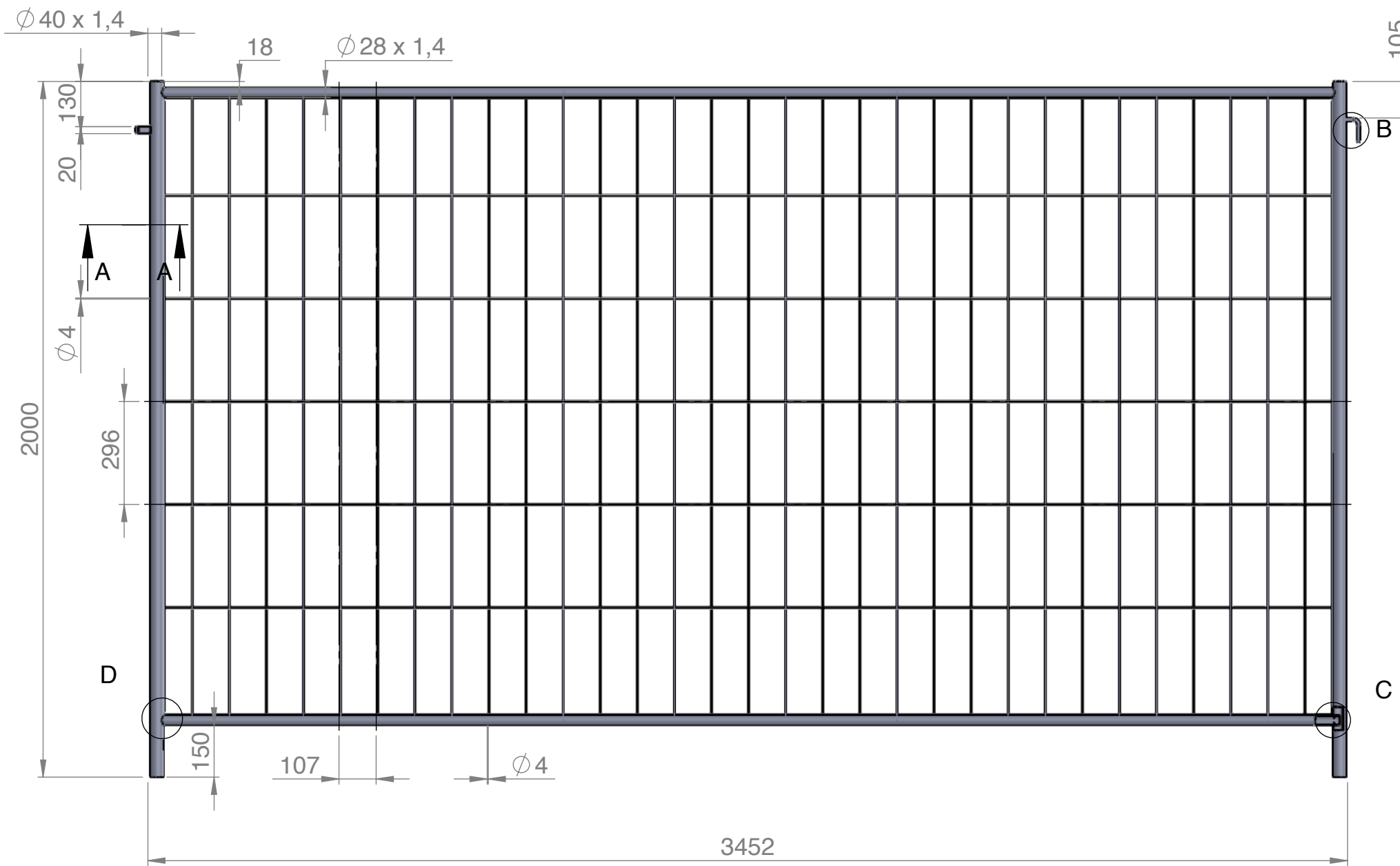
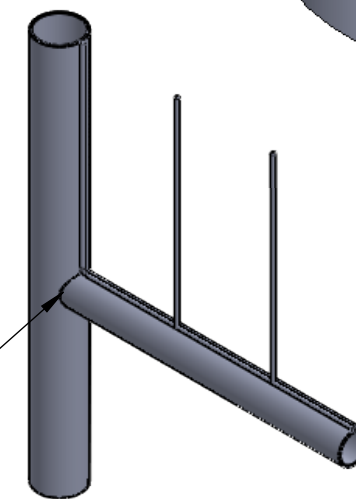


ALL DIMENSIONS IN MILLIMETERS



Isometric view of the connection pipe



TITLE: SP10-05Ö Bauzaun				WEIGHT: 19 kg			
NAME	SIGN	DATE	FINISH: HOT DIPPED GALVANISED				
DRAWN	BIŃCZAK		01/02/23				
CHK'D							
				SCALE: 1: 15	SHEET 1 OF 1		A3