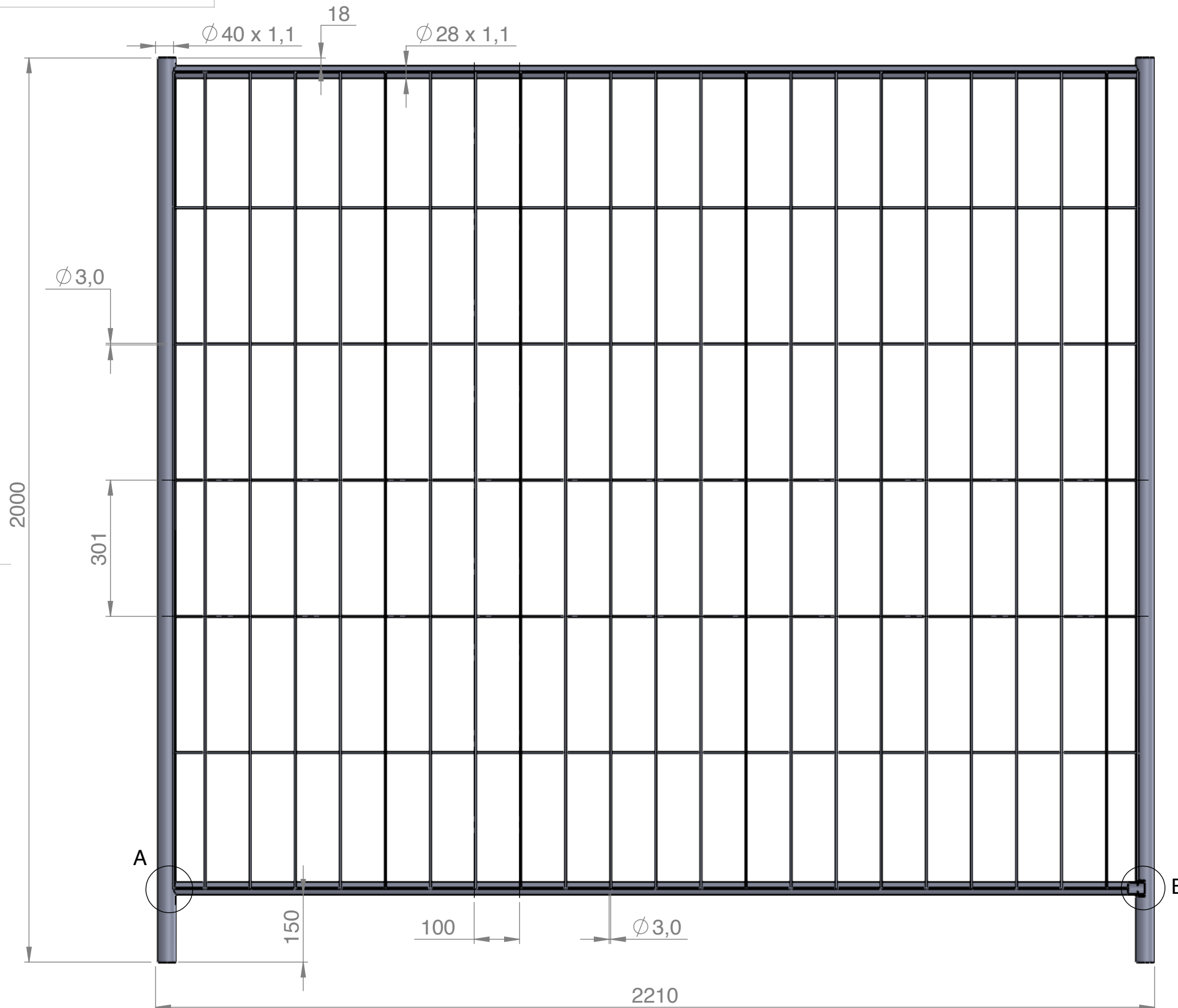
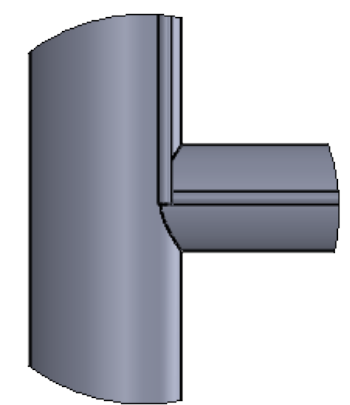


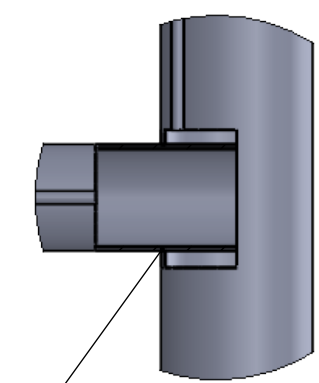
ALL DIMENSIONS IN MILLIMETERS



A  
(1 : 2)

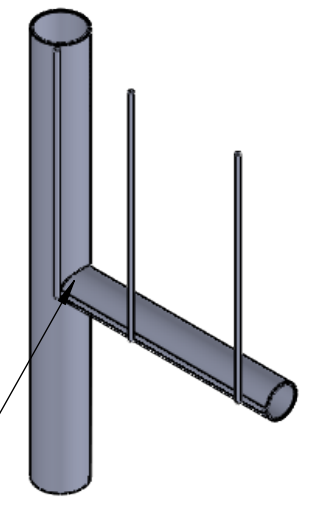


B  
(1 : 2)



Horizontal pipe in a vertical pipe

Isometric view of the connection pipe



TITLE:				SP10-02A Bauzaun	
NAME	SIGN	DATE	WEIGHT:	11,5 kg	
DRAWN	BIŃCZAK	08/02/23			
CHK'D			FINISH:	TOLERANCE:	CODE:
			HOT DIPPED GALVANISED	$\pm 5\%$	90029

**www.bauzaun-discount.de**