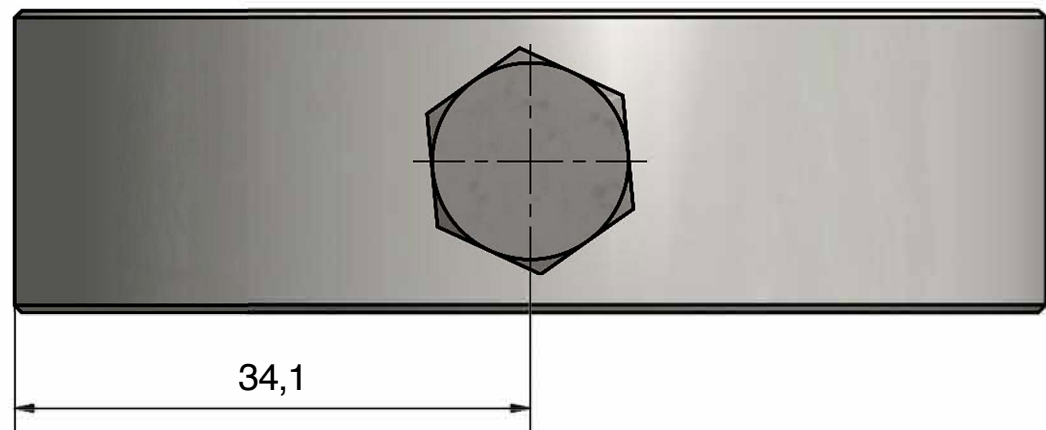
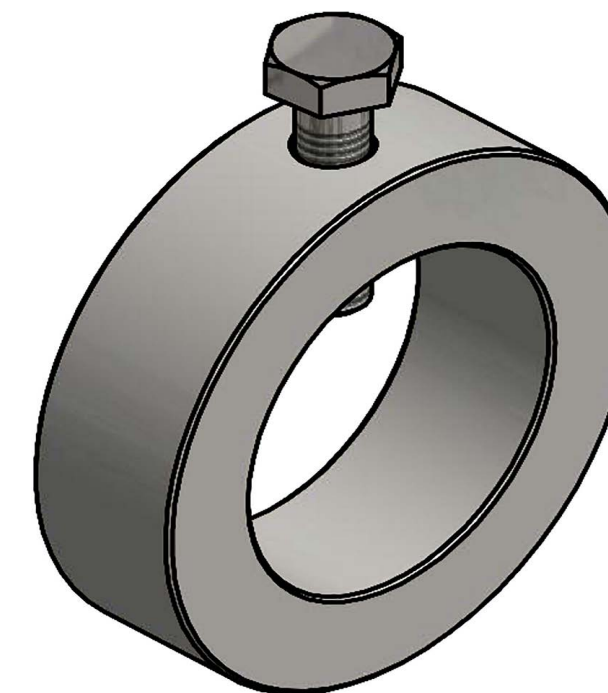
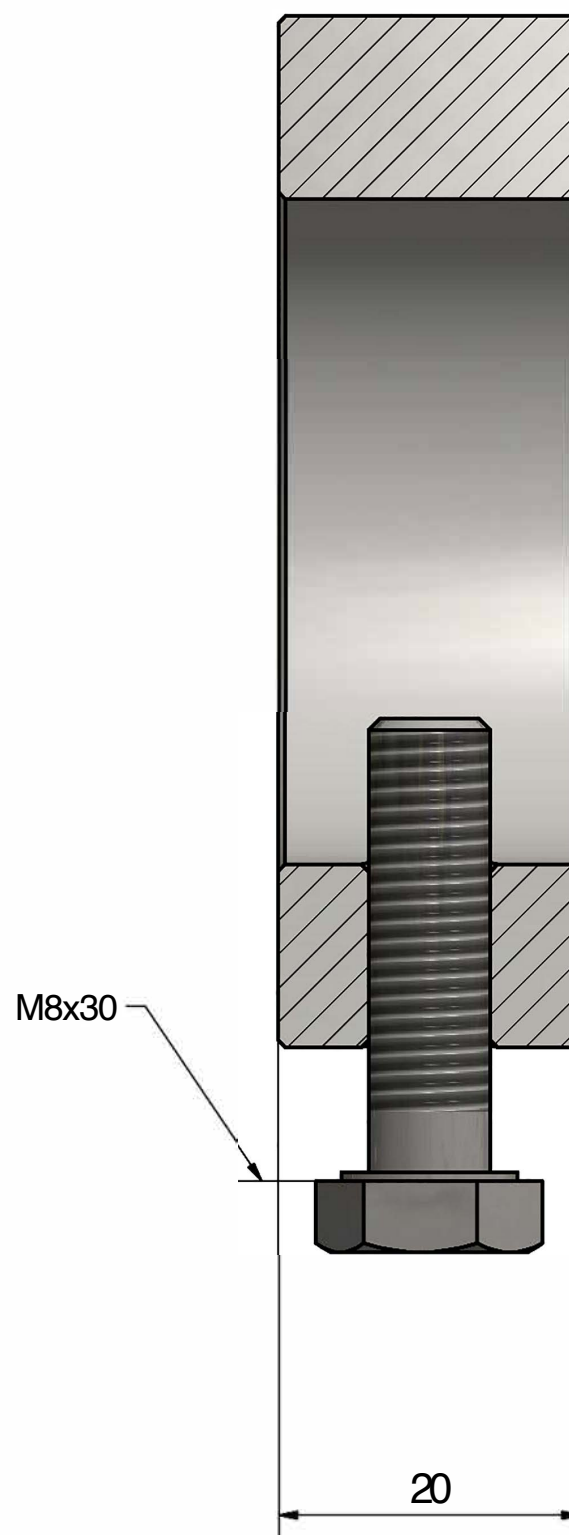


ALL DIMENSIONS IN MILLIMETERS

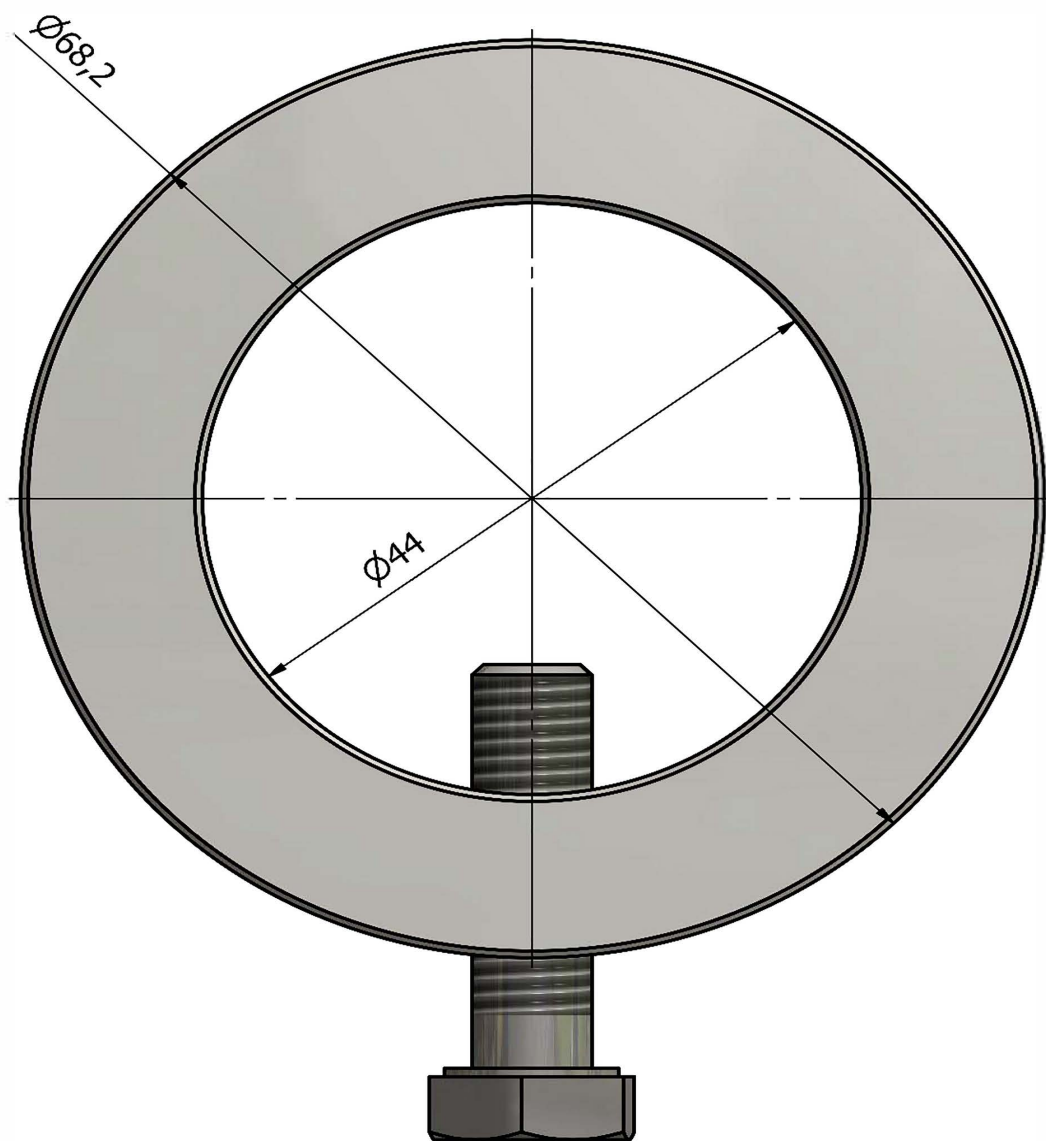
THIRD ANGLE PROJECTION
DO NOT SCALE DRAWING



A-A



A-1



TITLE: Drehtorlaufing T2

NAME	SIGN	DATE	WEIGHT: 0,2
DRAWN: BIŃCZAK		15/02/23	
CHK'D			

FINISH: HOT DIPPED GALVANISED
TOLERANCE: $\pm 5\%$

CODE: 75106

Revision

SCALE: 1: 10

SHEET 1 OF 1

A3

www.bauzaun-discount.de