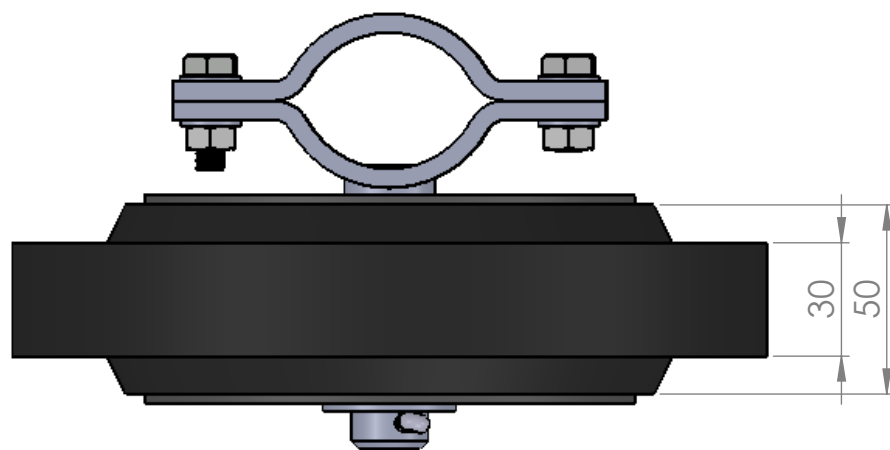
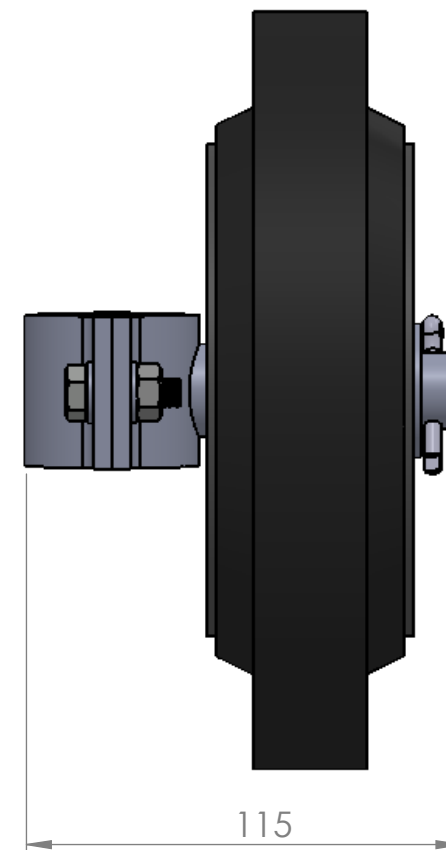
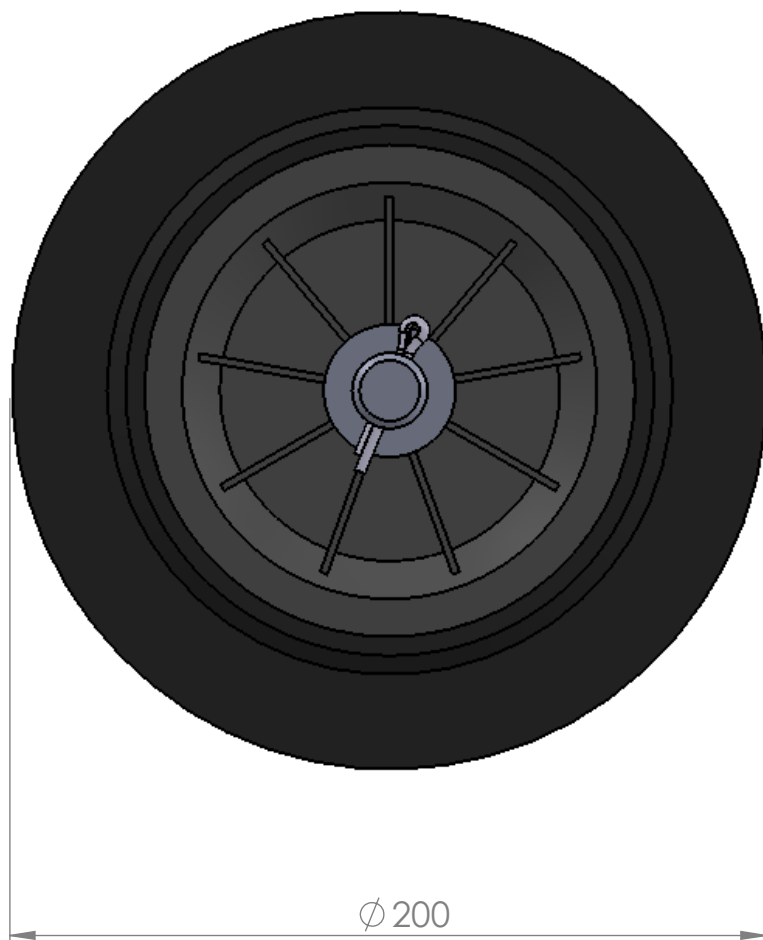



ALL DIMENSIONS IN MILLIMETERS

THIRD ANGLE PROJECTION
DO NOT SCALE DRAWING



TITLE:				T3.1 Laufrad			
DRAWN	NAME	SIGNATURE	DATE	MATERIAL:			
CHK'D	BIŃCZAK		8/10/18			CODE:	Revision
FINISH: HOT DIPPED GALVANISED				TOLERANCE: ±5%		90160	
SCALE: 1:2						SHEET 2 OF 5	