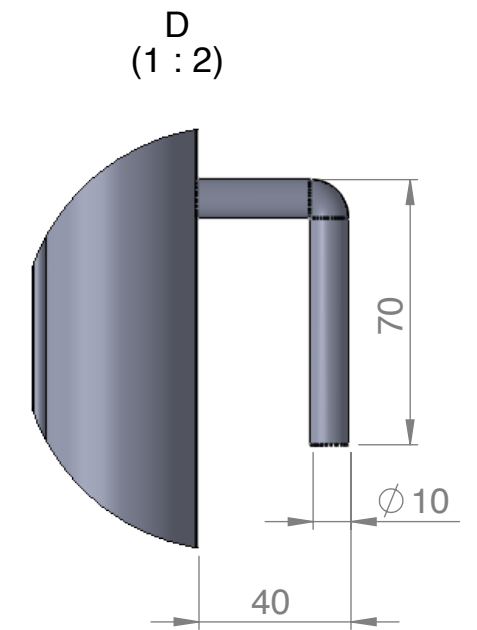
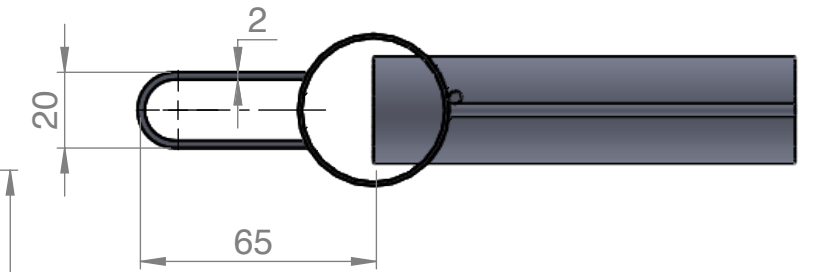
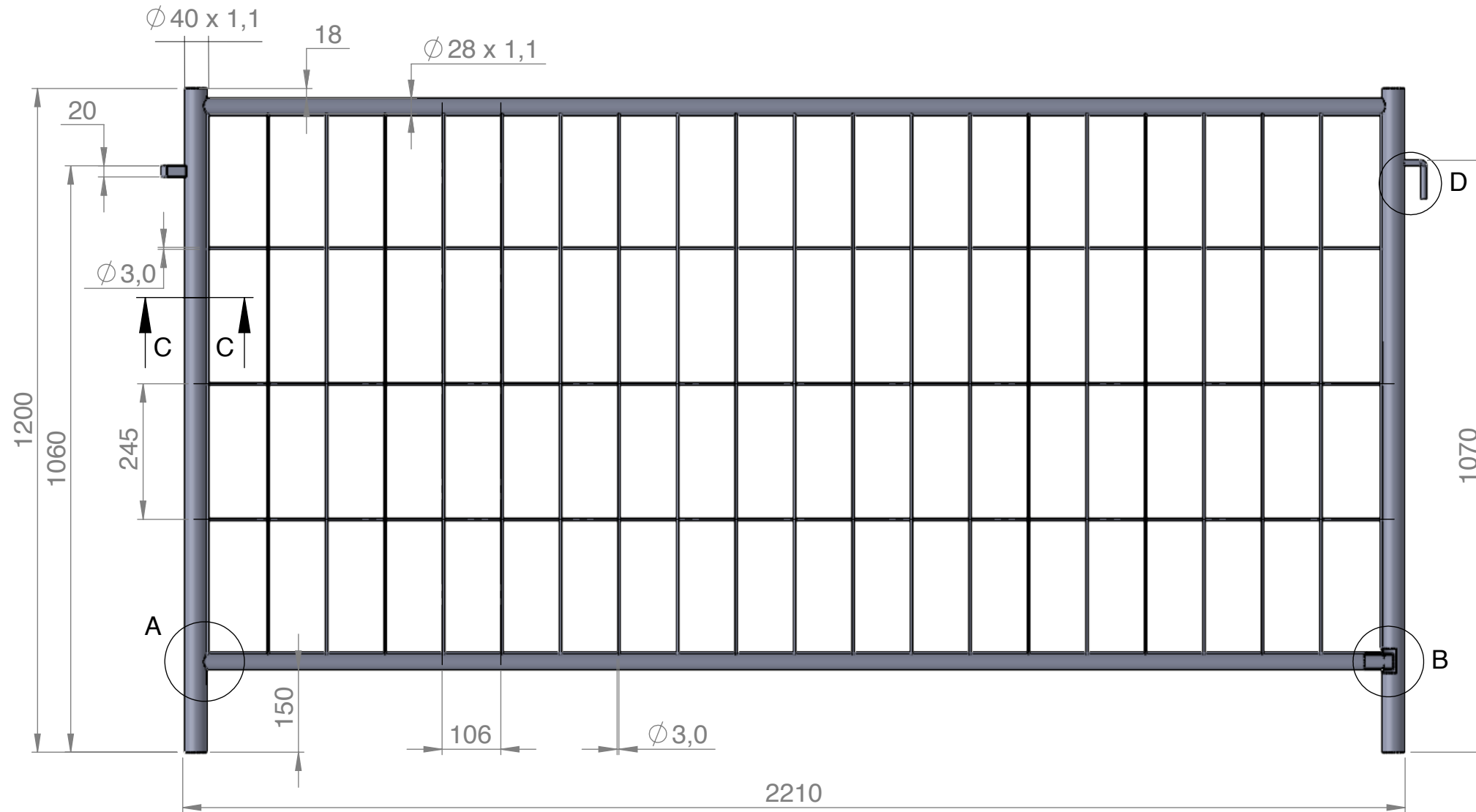
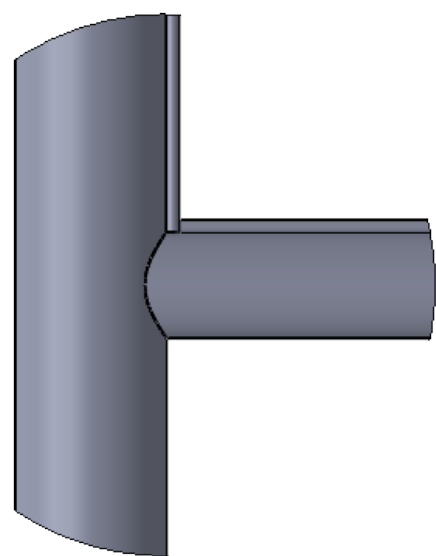


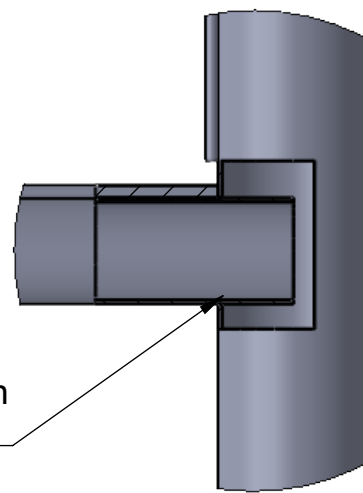
ALL DIMENSIONS IN MILLIMETERS



A (1:2)

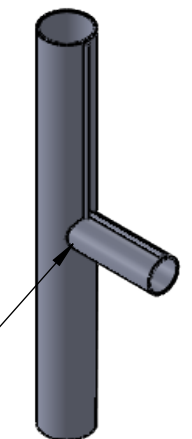


B (1:2)



Horizontal pipe in a vertical pipe

Isometric view of the connection pipe



TITLE: SP10-01AÖ Bauzaun			
NAME	SIGN	DATE	WEIGHT:
DRAWN BIŃCZAK		10/02/23	
CHK'D			
FINISH: HOT DIPPED GALVANISED		TOLERANCE: $\pm 5\%$	CODE:

[www.bauzaun-discount.de](http://www.bauzaun-discount.de)

SCALE: 1: 10	90018	Revision
SHEET 1 OF 1		A3